

Schlüter®-BARA-RAK

Edging profile
fixed onto inclined screeds

5.5

Product data sheet

Application and Function

Schlüter-BARA-RAK is a finishing profile with drip lip for the exposed edges of balconies and terraces that have an existing sloped screed.

The projecting bonding flange is recessed to allow for the use of the Schlüter-RONDEC or Schlüter-JOLLY protective edge profiles, which are available in the same colours as the balcony edging profile.

The trapezoid perforated anchoring leg of Schlüter-BARA-RAK is attached along the edge of the screed bed using an appropriate thin bed adhesive.

Schlüter-DITRA 25 can be installed as a waterproofing membrane, as can trowel applied waterproof membranes from other manufacturers or waterproofing layers compliant with DIN 18531. Schlüter-BARA-RAK results in a clean edge finish and protects the open screed edges from weather and corrosion.

Material

The profile is available in the following material version:

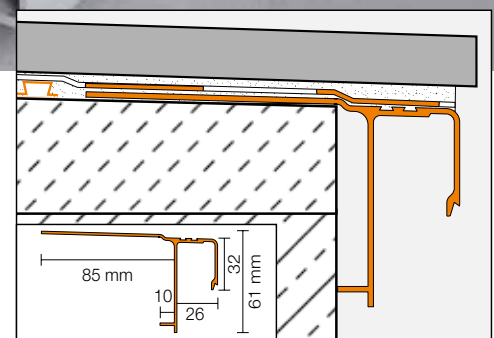
AC = colour coated aluminium

Material properties and areas of application

The coating of the aluminium profile is colour-fast, weather and UV resistant. Visible surfaces should be protected against abrasion.



In special cases, the suitability of Schlüter-BARA-RAK must be verified based on the anticipated chemical, mechanical, and/or other stresses.





Installation

1. Schlüter-BARA-RAK is used as an edging and finishing profile, and is attached by embedding the trapezoid perforated anchoring leg into a thin bed of fresh adhesive along the edge area.
2. Schlüter-DITRA 25 must abut the profile edge. Use Schlüter-KERDI-BAND to join the matting with the profile. Use the sealing adhesive Schlüter-KERDI-COLL-L or the installation adhesive Schlüter-KERDI-FIX to attach the sealing band with an overlap of at least 5 cm on Schlüter-DITRA 25 and to the undercut profile of the protruding adhesive flange of Schlüter-BARA-RAK. The tiles may now be set in a thin adhesive bed while observing the manufacturer's instructions for Schlüter-DITRA 25 included in product data sheet 6.1. The edge of the covering assembly should be approximately flush with the drip lip of Schlüter-BARA-RAK. If the Schlüter-RONDEC or Schlüter-JOLLY protective edge profile is used, apply tile adhesive on top of Schlüter-KERDI-KEBA and solidly embed the profile.

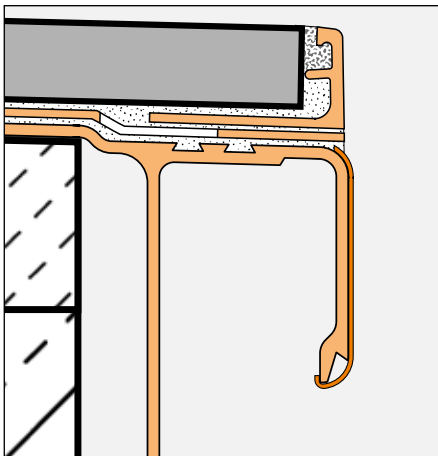
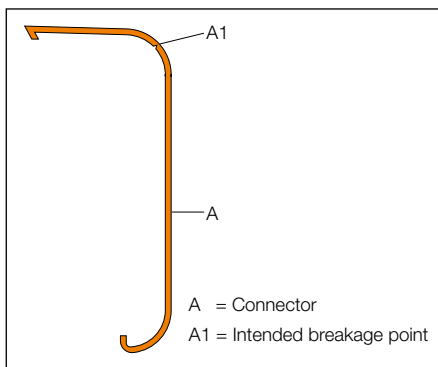


Illustration 1

3. If a trowel applied waterproof membrane is used, attach Schlüter-BARA-RAK at the exposed edge areas by integrating the trapezoid perforated anchoring leg into the waterproofing layer. The waterproof layer is carried over the cut back ribs of the projecting bonding flange. Observe manufacturer's instructions for installing waterproof compounds.
4. For waterproofing layers in accordance with DIN 18531, the trapezoid perforated anchoring leg of Schlüter-BARA-RAK must be attached along the open edge of the sloped screed using an appropriate thin-bed mortar. Apply a gradient layer at the transition area between the anchoring leg and the sloped screed to avoid a slope reduction. The waterproof membrane to be applied is carried over the cut back ribs of the projecting bonding flange and adhered, ensuring a watertight connection.

5. Over waterproof layers in accordance with DIN 18531, an assembly conforming to norms and standards currently in effect is applied. This can be the application of a drainage layer with subsequent installation of a load distribution or gravel layer, or large format surface coverings supported by pedestals.

6. Note: Prefabricated corners and connectors are available for internal and external corners. Abut the profile ends of Schlüter-BARA-RAK, leaving approx. a 5 mm wide joint. Cover the joint with the snap-on connector.

When using an edge protection profile, the connector should be shortened at the intended breakage point and adhered to the edge profile using a suitable silicone, (see illustration 1).

All current installation instructions and manufacturer's guidelines for the covering type must be observed. All materials must be weather resistant, waterproof, and suitable for outdoor areas.

Maintenance

Schlüter-BARA-RAK requires no special maintenance or care. The coated surface of the aluminium profile is colourfast and UV resistant. Damaged visible surfaces can be restored with paint.



Illustration 1

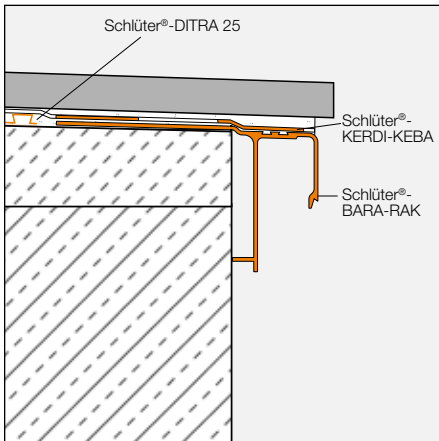
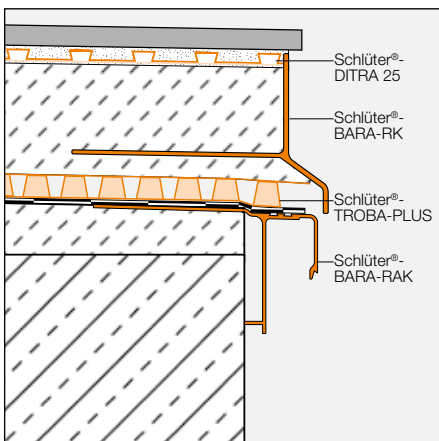


Illustration 2



Subsequent installation of the Schlüter®-BARIN gutter system to the edging profile





Product Overview

Schlüter®-BARA-RAK

Colours: HB = light beige, RB = red brown, SB = black brown, PG = pastel grey, BW = brilliant white,

GM = grey metallic

Length supplied: 2.50 m

Colours	HB	RB	SB	PG	BW	GM
Profile	•	•	•	•	•	•
External Corner 90°	•	•	•	•	•	•
External Corner 135°	•	•	•	•	•	•
Internal Corner 90°	•	•	•	•	•	•
Connector	•	•	•	•	•	•

Text template for tenders:

_____ linear metres of Schlüter-BARA-RAK, as an angled balcony edging profile of powder-coated aluminium with a protruding, lower adhesive flange and integrated drip-lip, to be supplied and professionally installed with the trapezoid-perforated anchoring leg in the exposed side of the sloped screed as an edging profile, while observing the manufacturer's instructions.

Matching accessories are

- to be included in unit prices.
- to be charged as extra.

Profile height: _____ mm

Colour: _____

Art.-No.: _____

Material: _____/m

Labour: _____/m

Total: _____/m