

## Schlüter®-DILEX-MOP

**Movement joint profile**  
for screed bed applications

# 4.4

Product data sheet

### Application and Function

**Schlüter®-DILEX-MOP** is a profile with stable serrated side walls made of recycled rigid PVC and a central movement zone made of soft PVC. The profile is available in three different heights and is installed as a movement joint in coverings set in a mortar bed, e.g. pavers, ceramic tiles, and natural or man-made stone. The profile separates individual covering fields and equalizes respective compressive stresses in the soft PVC movement zone.

Tensile stresses that may occur cannot be absorbed, since the profile does not have lateral frictional anchoring in the mortar bed. The side sections of the profile are made of rigid PVC and protect the edges of the adjacent covering from mechanical stresses caused by industrial traffic. However, limitations of the PVC as edge protection able to withstand mechanical stresses must be considered. The side sections are made with environmentally-friendly recycled PVC and may vary slightly in colour. Therefore, these profiles are intended mainly for industrial use.

Schlüter®-DILEX-MOP may also be inserted in saw-cut joints or wider cut joints, e.g. in the case of renovations. The remaining joint between the tile and the profile must be filled completely with grout or epoxy.

### Material

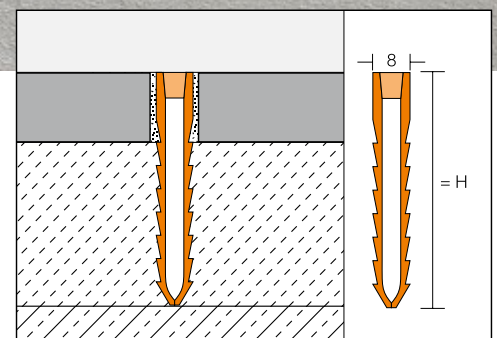
Schlüter®-DILEX-MOP consists of recycled rigid PVC side sections connected at the top by a soft PVC movement zone.



### Material properties and areas of application:

The profile is resistant to most chemicals encountered in tiled environments.

In special cases, the suitability of a proposed type of material must be verified based on the anticipated chemical, mechanical, and/or other stresses.



Schlüter®-DILEX-MOP is installed as a movement joint in tiled surfaces set into a mortar bed. Individual covering fields are separated by the profile whose soft PVC movement zone equalizes compressive stresses.



## Installation

1. Select profile height according to the height of the assembly.
2. Set profile flush against the edge area of an already completed covering field. The profile must be completely embedded laterally.
3. Install surface of adjacent covering field flush against profile surface. Schlüter®-DILEX-MOP must be completely embedded laterally.
4. Fill the remaining joint between the profile and the covering completely with grout.

Installation note on joint repair:

Prepare the joint's width and depth appropriately and insert or drive profile into joint. Fill joint space between profile and covering completely with grout, epoxy, or dry-set mortar.

## Maintenance

Schlüter®-DILEX-MOP is resistant to fungi and bacteria and requires no special maintenance. Clean the profile along with the tiled surface using common household cleaning agents.

### Text template for tenders:

Supply

\_\_\_\_\_ per metre Schlüter®-DILEX-MOP as a movement joint profile consisting of recycled rigid PVC side sections with serrated sides, connected at the top by a soft PVC movement zone, for floor coverings set in a mortar bed, and install flush with surface coverings according to manufacturer's specifications.

Profile height: \_\_\_\_\_ mm

Art.-No.: \_\_\_\_\_

Material: \_\_\_\_\_/m

Labour: \_\_\_\_\_/m

Total: \_\_\_\_\_/m



## Product Overview

### Schlüter®-DILEX-MOP

Colour: G = grey

Length supplied: 2.50 m

Colour	G
H = 35 mm	•
H = 50 mm	•
H = 65 mm	•