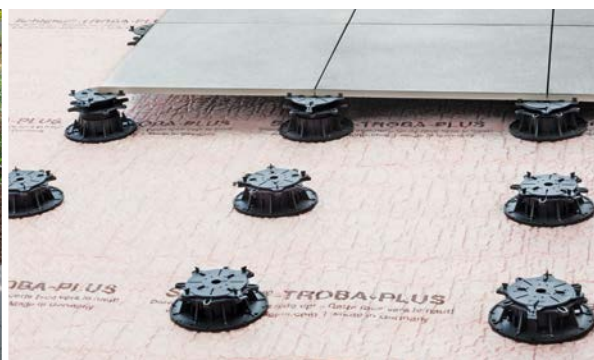


Schlüter®-TROBA-LEVEL

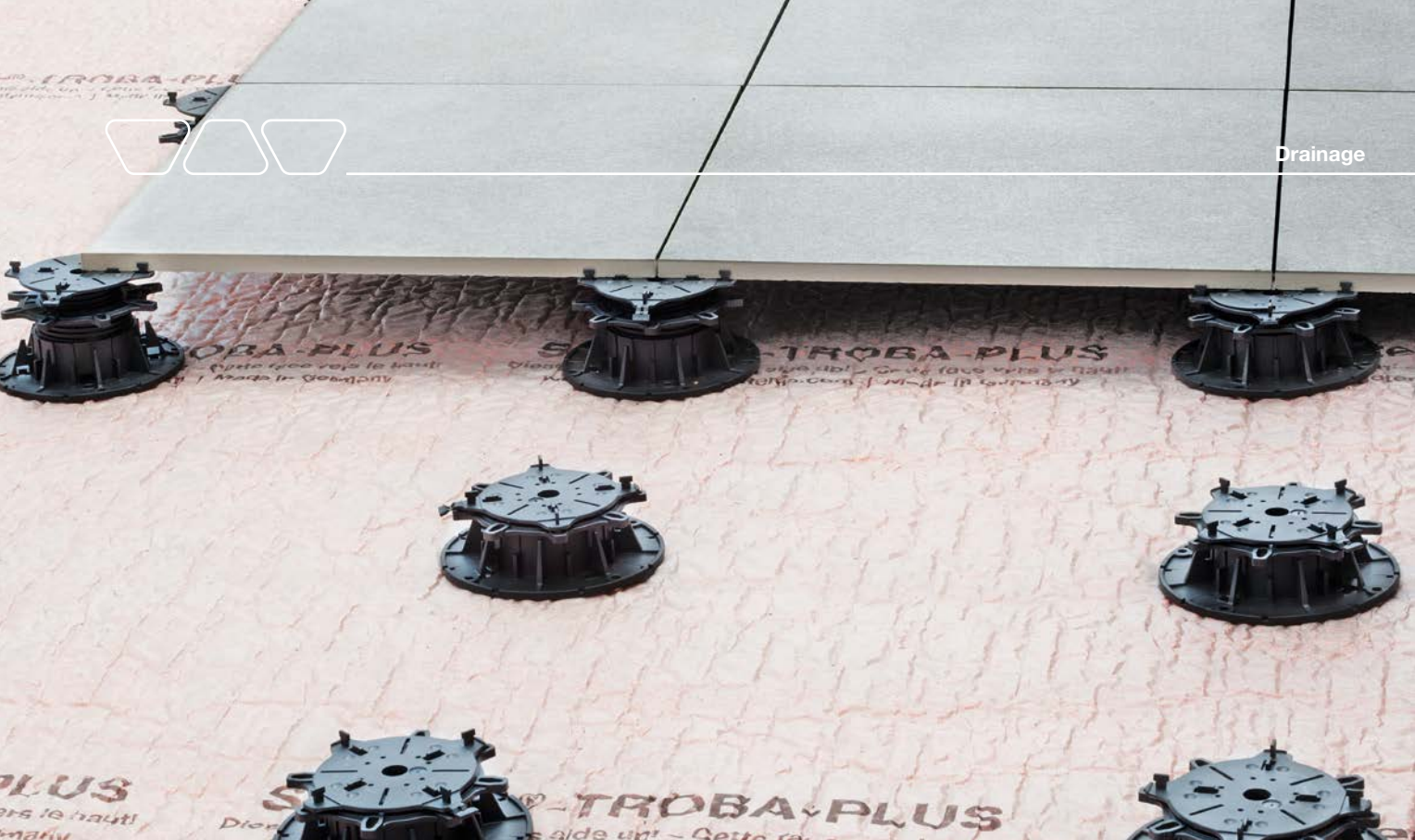
Install pavers. QUICK. SOLID. SYSTEMATIC.



System solutions for secure support with loose installation



PROFILE OF INNOVATION



Millimetre precision – reliable installation

With Schlüter®-TROBA-LEVEL, you can quickly install self-supporting paver elements on balconies and terraces with lasting precision. The small number of different product components can be variably combined to reliably level virtually any slope and construction site situation. Starting from assembly heights of 3 mm! Thanks to the air circulation under the covering and the special geometry of TROBA-LEVEL products, frost damage can be reliably prevented within the assembly. The loose installation of the pavers enables quick and uncomplicated access to the waterproofing assembly or interior drainage systems as required.

Five convincing reasons:

- Simple and configurable product range
- Pre-assembled pedestals
- Individual product stacking
- Optimum levelling of different paver thicknesses (e.g. 3 cm thick natural stone to 2 cm thick tile)
- 'Non-wobbling' installation with millimetre precision levelling at every individual edge



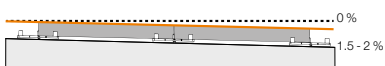


Loose installation – secure support

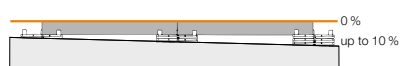
- ✓ High-quality paver supports from assembly heights of 3 mm
- ✓ Excellent compressive strength
- ✓ Quick and easy installation with six combinable products
- ✓ Optimal edge and corner formation
- ✓ Consistent 3 mm joint width
- ✓ No twisting in case of vibrations
- ✓ Anti-twist protection
- ✓ Recyclable
- ✓ Optimal drainage function
- ✓ Solutions for all slope assemblies upto 10 %



Slope variants



Install in the slope



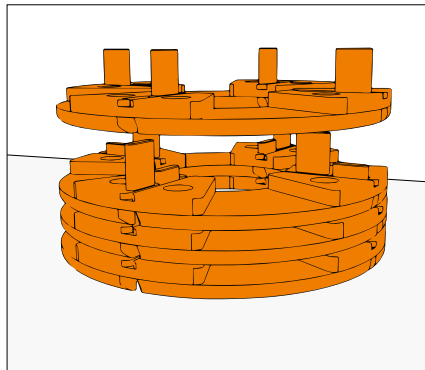
Level slope



Schlüter®-TROBA-LEVEL-PL 10

Schlüter®-TROBA-LEVEL-PL 10 are stackable paver supports for supporting paver elements, regardless of their format and thickness. They are made of a special synthetic material with sound insulation effect and can be installed directly over the waterproofing assembly. The 3 mm connectors enable a homogeneous joint appearance and are able to absorb movements in the covering. Schlüter®-TROBA-LEVEL-PL 10 can be stacked up to a height of 200 mm and can also be combined with other paver supports of the product series.

(Product data sheet 7.6)

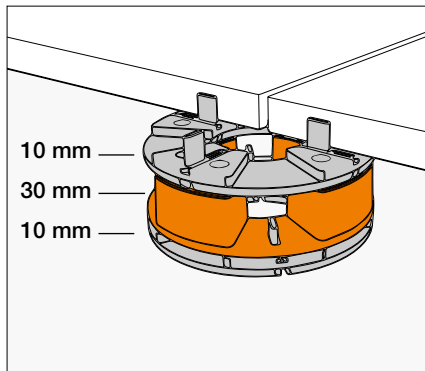


Schlüter®-TROBA-LEVEL-PL 10			
PE paver supports, diameter 120 mm			
H (mm)	Art.-No.	£ / U.	P (Unit)
10	TL PL 10	2.28	100

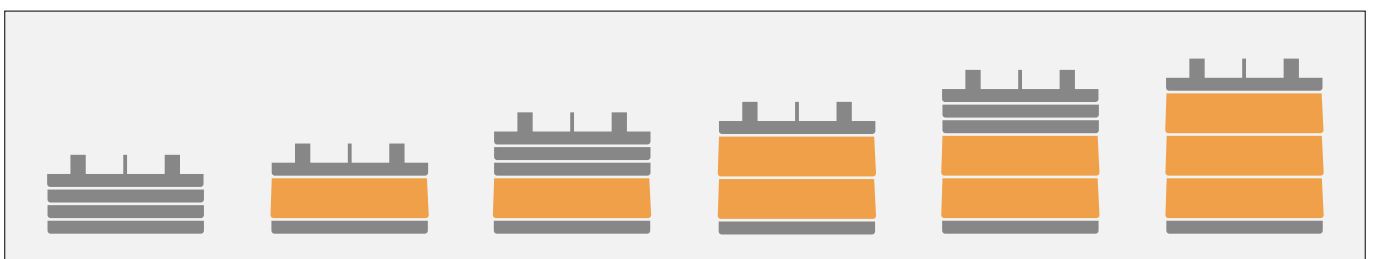
Schlüter®-TROBA-LEVEL-PLA 30

Schlüter®-TROBA-LEVEL-PLA 30 are height adapters for supported paver coverings. From an assembly height of 50 mm, one or more Schlüter®-TROBA-LEVEL-PLA 30 adapters can be inserted between two Schlüter®-TROBA-LEVEL-PL 10 paver supports. Schlüter®-TROBA-LEVEL-PLA 30 can be stacked up to a height of 300 mm and can be combined with the paver supports Schlüter®-TROBA-LEVEL-PLV 60 and Schlüter®-TROBA-LEVEL-LV 3.

(Product data sheet 7.6)



Schlüter®-TROBA-LEVEL-PLA 30			
PE adapter, diameter 120 mm			
H (mm)	Art.-No.	£ / U.	P (Unit)
30	TL PLA 30	2.76	52



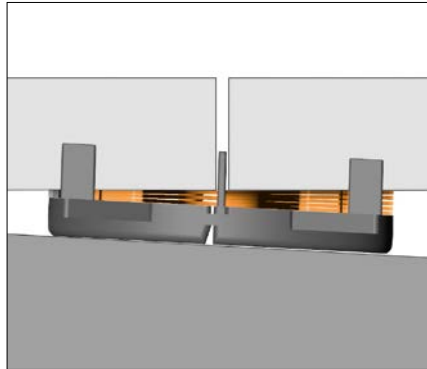
Individually stackable



Schlüter®-TROBA-LEVEL-AP 1

Schlüter®-TROBA-LEVEL-AP 1 levelling plates help to adjust the pavers to various slope situations. Differences in paver thickness, uneven places in the ground or a minor slope can be adjusted by up to 10 mm per paver corner.

(Product data sheet 7.6)



Schlüter®-TROBA-LEVEL-AP 1

PE levelling plates, cut into quarters

H (mm)	Art.-No.	£ / Package	P (Package)
1	TL AP 1	29.90	8

Package = 250 units

Schlüter®-TROBA-LEVEL-PLV 60

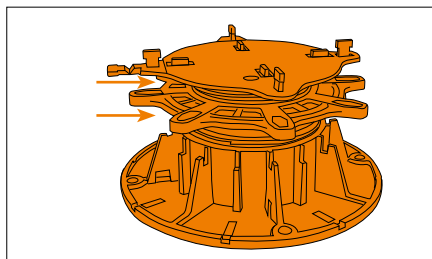
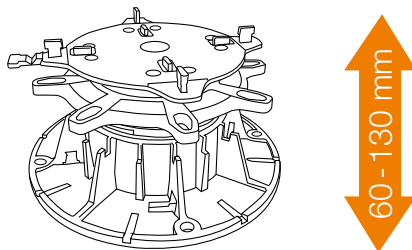
Schlüter®-TROBA-LEVEL-PLV 60 are rotatable paver supports that can be variably adjusted from 60-130 mm with an adjustment ring and two opposing threads. The identical paver support at the head (diameter 120 mm) enables individual stacking in combination with Schlüter®-TROBA-LEVEL-PL 10 and -PLA 30. If necessary, Schlüter®-TROBA-LEVEL-AP 1 levelling plates can be used for precision adjustment and slope levelling. Assembly heights up to 520 mm can be achieved by stacking two or more Schlüter®-TROBA-LEVEL-PLV 60 units. The paver support head is equipped with 3 mm connectors and features an additional perimeter connector.

(Product data sheet 7.6)

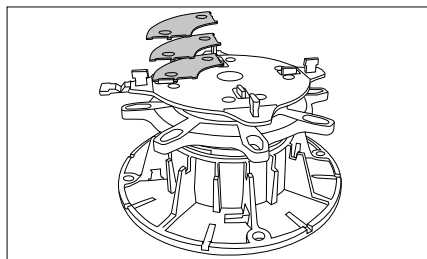
Schlüter®-TROBA-LEVEL-PLV 60

PP paver support, diameter 200 mm

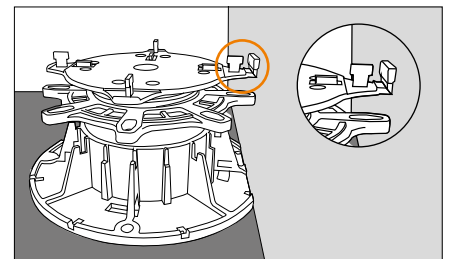
H (mm)	Art.-No.	£ / U.	P (Unit)
60-130	TL PLV 60	8.83	48



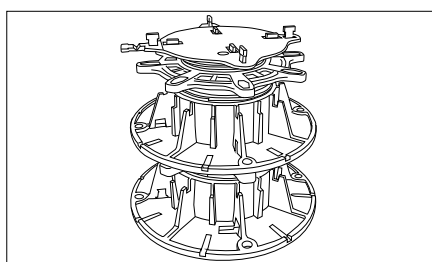
Screw lock



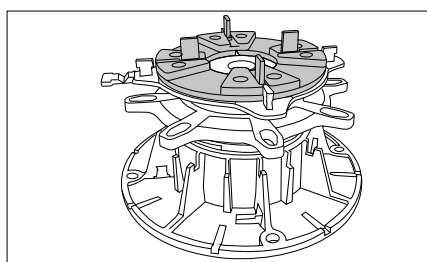
Precision levelling



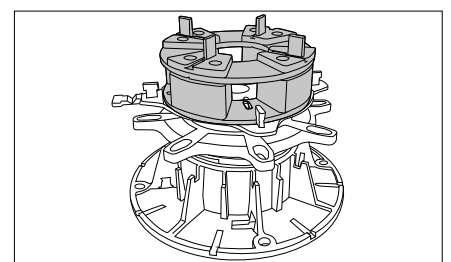
Edge solution



Individual stacking with lock



Add-on variant



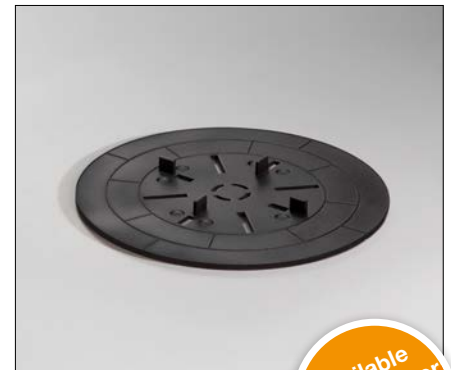
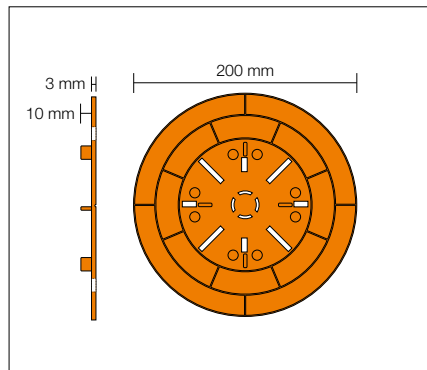
Add-on variant

Schlüter®-TROBA-LEVEL-LV 3

Schlüter®-TROBA-LEVEL-LV 3 are paver supports for load distribution in conjunction with Schlüter®-TROBA-LEVEL-PL 10, -PLA 30 and -AP 1. The paver supports also allow for creating structures with low assembly heights. Schlüter®-TROBA-LEVEL-LV 3 can be cut to size and features 3 mm connectors.

(Product data sheet 7.6)

Schlüter®-TROBA-LEVEL-LV 3			
PP paver supports, diameter 200 mm			
H (mm)	Art.-No.	£ / U.	P (Unit)
3	TL LV 3	4.60	100



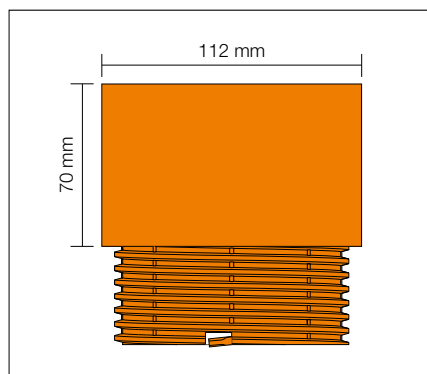
Available from October 2018

Schlüter®-TROBA-LEVEL-PLA 70

Schlüter®-TROBA-LEVEL-PLA 70 are height adapters for supported paver coverings. They are screwed into the paver support bottom of Schlüter®-TROBA-LEVEL-PLV 60.

(Product data sheet 7.6)

Schlüter®-TROBA-LEVEL-PLA 70			
PP adapter			
H (mm)	Art.-No.	£ / U.	P (Unit)
70	TL PLA 70	5.61	30



Available from October 2018

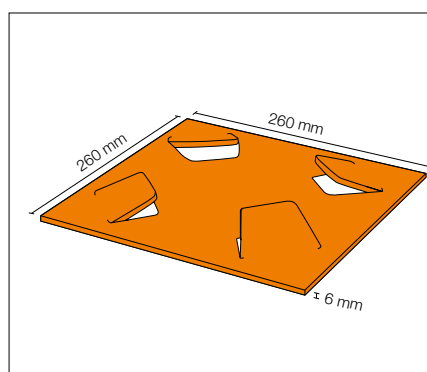
Schlüter®-TROBA-LEVEL-PLS 6

Schlüter®-TROBA-LEVEL-PLS 6 are seal protection pads made of rubber granulate. The paver support bottom of Schlüter®-TROBA-LEVEL-PLV 60 or the paver support Schlüter®-TROBA-LEVEL-LV 3 must be attached in the slitted cuts of the protective pads Schlüter®-TROBA-LEVEL-PLS 6 (6 mm). In the case of PVC waterproofing assemblies, the aluminium separating layer of the protective pads must be installed facing down. If using Schlüter®-TROBA-LEVEL-PL 10, these must be placed in the centre of the pads.

(Product data sheet 7.6)

Schlüter®-TROBA-LEVEL-PLS 6			
Rubber granulate			
H (mm)	Art.-No.	£ / Package	P (Package)
6	TL PLS 6	23.46	5

Package = 10 units



Available from October 2018



Combination options with existing Schlüter products:

Protection of waterproofing assembly:

To protect the waterproofing assembly and for effective area drainage, we recommend the installation of the drainage mats Schlüter®-TROBA-PLUS and -TROBA-PLUS-G over the full area.*



Edge solutions:

To create optimum edge solutions, we recommend the balcony finishing profiles Schlüter®-BARA-RKL, -BARA-RKLT, and -BARA-RWL as well as our gravel retaining angle -TROBA-LINE-TLK-E.*



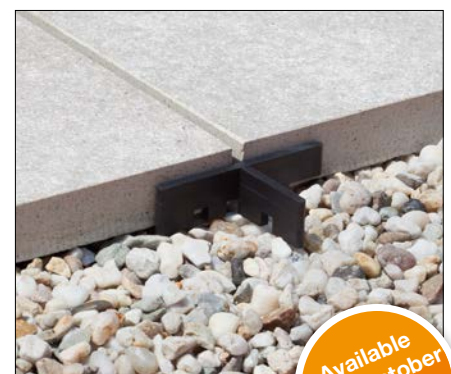
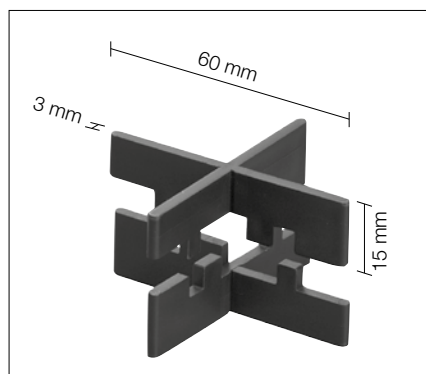
Drainage:

We recommend Schlüter®-TROBA-LINE from a width of 110 mm for surface water drainage.*

Additional accessories for loose installation

Schlüter®-TROBA-ZFK

Schlüter®-TROBA-ZFK are tile spacers to ensure a uniform joint appearance for the loose installation of ceramic tile elements, natural stone or concrete pavers in gravel or crushed stone beds, e.g. over Schlüter®-TROBA. The joint width is 3 mm, and the height of the spacers is 15 mm. A height of 30 mm can be achieved by snapping the tile spacers together.



Available from October 2018

Schlüter®-TROBA-ZFK

PP tile spacer (3 mm)

H (mm)	Art.-No.	£ / Package	P (Package)
15	TZ FK 3	13.80	60

Package = 50 units

* Please refer to our current illustrated price list for further information.



Information. For those who want to know more!

Would you like to learn more about the products of Schlüter-Systems?
For a quick overview of our products, visit us online at www.schluter.co.uk,
where you can find additional information with the click of your mouse.



PROFILE OF INNOVATION

Schlüter-Systems KG · Schmölestraße 7 · D-58640 Iserlohn

Tel.: +49 2371 971-261 · Fax: +49 2371 971-112 · info@schlueter.de · www.schlueter-systems.com

Schlüter-Systems Ltd · Units 3-5 Bardon 22 Industrial Estate · Beveridge Lane · Coalville · Leicestershire · LE67 1TE

Tel.: +44 1530 813396 · Fax: +44 1530 813376 · sales@schluter.co.uk · www.schluter.co.uk