

## Schlüter®-KERDI-COLL-L

Sealant adhesive  
for connections and joints

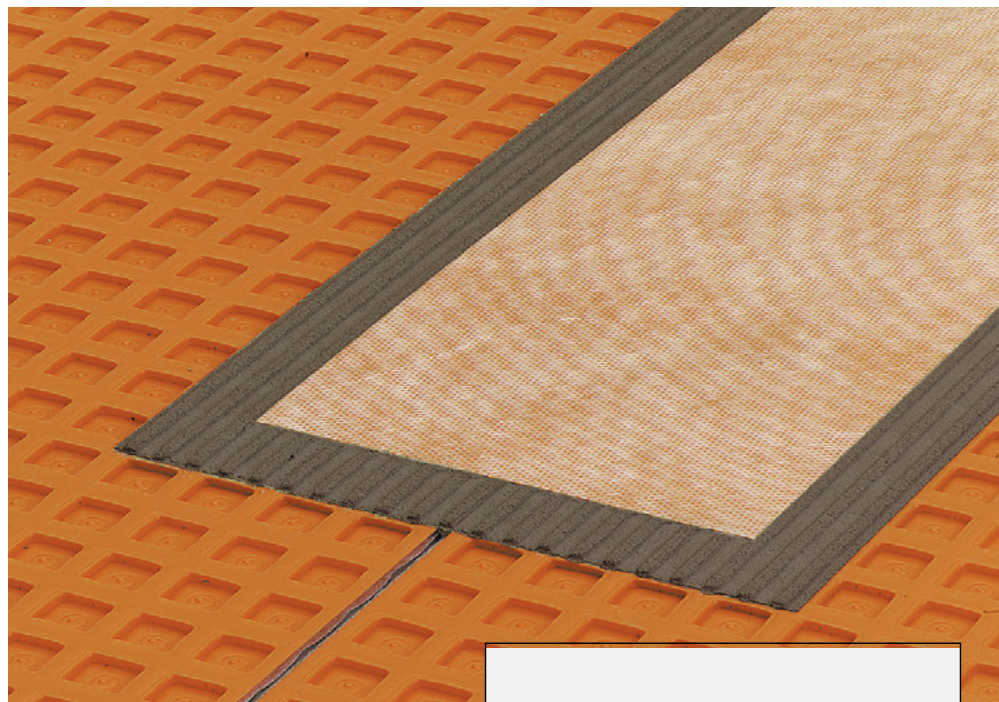
# 8.4

Product data sheet

### Application and Function

**Schlüter®-KERDI-COLL-L** is a two component sealant adhesive based on a solvent free acrylate dispersion and a reactive cementitious powder.

They are suitable for adhering and sealing overlaps of Schlüter®-KERDI membranes. In addition, they can be used to tightly seal the edges of the seaming tape Schlüter®-KERDI-KEBA on Schlüter®-KERDI, Schlüter®-DITRA 25, Schlüter®-DITRA-HEAT and Schlüter®-KERDI-BOARD as well as on Schlüter®-BARA edge profiles. In conjunction with the materials Schlüter®-KERDI, Schlüter®-DITRA 25, Schlüter®-DITRA-HEAT or Schlüter®-KERDI-BOARD and the associated Schlüter®-KERDI-KEBA, this results in certified bonded waterproofing assemblies. Schlüter®-KERDI-COLL-L is a system component of a technical approval required in Germany. The above-listed Schlüter® products tested with KERDI-COLL feature the national technical approval (abP) required in Germany and bear the Ü mark. The moisture exposure classes according to abP are listed in the respective data sheets. Schlüter®-KERDI-COLL-L has the required European Technical Assessment (ETA) as specified in ETAG 022 (bonded waterproofing assemblies). The above-listed Schlüter® products tested with KERDI-COLL-L bear CE marking.



### Material

Schlüter®-KERDI-COLL-L consists of a solvent-free acrylate dispersion (Schlüter®-KERDI-COLL-A) with a bulk density of 1.0 kg/l and a reactive cementitious powder (Schlüter®-KERDI-COLL-RL) with a bulk density of 1.2 kg/l. The two components are mixed prior to application.





### Material properties and areas of application

Schlüter®-KERDI-COLL-L is suitable for application in wall and floor areas, in conjunction with Schlüter®-KERDI, Schlüter®-DITRA 25, Schlüter®-DITRA-HEAT or Schlüter®-KERDI-BOARD and the corresponding Schlüter®-KERDI-KEBA jointing tapes, both indoors and outdoors (except Schlüter®-KERDI-BOARD). In special cases, the suitability of the materials must be verified based on the anticipated chemical, mechanical, or other stresses.

For preparing the mix in a soft consistency, the packages contain 1.75 kg (large package) or 0.75 kg (small package) of the acrylate dispersion Schlüter®-KERDI-COLL-A and 2.5 kg (large package) or 1.1 kg (small package) of the reactive powder Schlüter®-KERDI-COLL-RL. This equals a mixing ratio of 1:1.4.

The mixing proportion can be varied to a maximum of 1:1 depending on the desired consistency. In this case, the quantity of the reactive powder (Schlüter®-KERDI-COLL-RL) is reduced accordingly.

### Installation

The product is applied to clean and dry cuts/membranes of Schlüter®-KERDI, Schlüter®-DITRA 25 or Schlüter®-DITRA-HEAT as well as on Schlüter®-KERDI-BOARD and Schlüter®-BARA profiles. The suitability of other substrates must be reviewed and evaluated. Depending on the application, the compound can be applied with a flat trowel and then combed with a 3 x 3, 3 x 4 or 4 x 4 mm notched trowel. If the material is mixed to a thinner consistency, it can be applied with a brush or a roller.

Once the adhesive has been applied, the materials should be assembled as quickly as possible by fully embedding them in the adhesive and avoiding air pockets.

When installing Schlüter®-KERDI-KEBA, it is recommended to press the sealing band into place by applying pressure with the smooth side of the notched trowel at an oblique angle. As an alternative, a suitable pressure roller may be used. Be careful to avoid the formation of air pockets.

The application and installation instructions in our product data sheets 8.1 Schlüter®-KERDI, 6.1 Schlüter®-DITRA 25, 6.4 Schlüter®-DITRA-HEAT, and 12.1 Schlüter®-KERDI-BOARD must be observed.

The curing and installation time is shorter at higher temperatures.

The ambient temperature for the installation may not fall below 5 °C until the final curing. Protect from moisture until the sealing adhesive has fully cured. Once mixed use the sealant adhesive quickly to prevent the product from skinning over or drying out. The content of open containers must be used within a short time.



### Safety Note

Schlüter®-KERDI-COLL-L contains cement that has an alkaline reaction in conjunction with moisture. Wear protective gloves and goggles when working with the material to avoid contact with skin and eyes. In case of eye contact, immediately rinse eyes with plenty of water and seek the advice of a physician. Schlüter®-KERDI-COLL-L must be kept out of the reach of children.



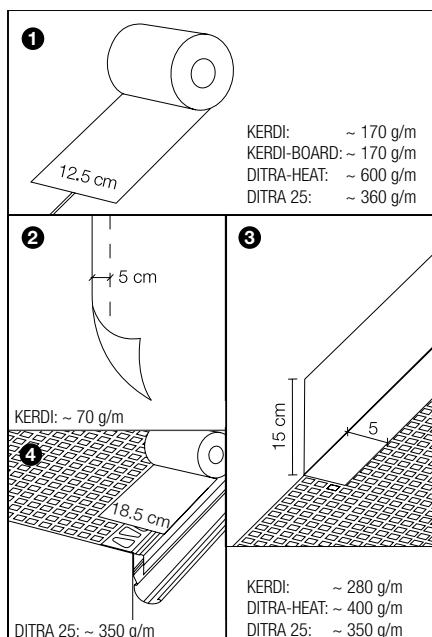
### Product data

#### Schlüter®-KERDI-COLL-L

Supplied unit: Two-component sealing adhesive in a combined package, available in size 4.25 kg (large package) or 1.85 kg (small).  
The package consists of:  
1.75 kg or 0.75 kg acrylate dispersion Schlüter®-KERDI-COLL-A  
2.50 kg or 1.10 kg reactive powder Schlüter®-KERDI-COLL-RL  
(20/30 °C) approx. 90/60 min.

#### Technical information

Curing time: (20 °C) approx. 2 hours with air exposure,  
approx. 4 hours below Schlüter®-KERDI-KEBA  
Storage: sealed original containers can be stored for approx. 12 months  
in dry and frost-protected conditions  
GISCODE labelling: Reactive powder ZP1, acrylate dispersion D1



### Consumption values for Schlüter®-KERDI-COLL-L:

#### 1 12.5 cm waterproofing of seam areas:

Consumption:		approx. 170 / 360 / 600 g/m
Yield/package:	4.25 kg (large)	approx. 25 / 12 / 7 m
	1.85 kg (small)	approx. 10 / 5 / 2 m

#### 2 5 cm overlap on Schlüter®-KERDI:

Consumption:		approx. 70 g/m
Yield/package:	4.25 kg (large)	approx. 60 m
	1.85 kg (small)	approx. 25 m

#### 3 15 + 5 cm waterproofing of areas adjoining Schlüter®-KERDI:

Consumption:		approx. 280 / 350 / 400 g/m
Yield/package:	4.25 kg (large)	approx. 15 / 12 / 10 m
	1.85 kg (small)	approx. 6 / 5 / 4 m

#### 4 18.5 cm waterproofing areas adjoining Schlüter®-DITRA 25 & -BARA:

Consumption:		approx. 350 g/m
Yield/package:	4.25 kg (large)	approx. 12 m
	1.85 kg (small)	approx. 4 m

**Text template for tenders:**

\_\_\_\_\_ kg of Schlüter®-KERDI-COLL-L as a two component sealing adhesive based on a solvent free acrylate dispersion and a reactive cementitious powder. For adhering and waterproofing the abutting joints and overlaps of the jointing tape Schlüter®-KERDI-KEBA over Schlüter®-KERDI, Schlüter®-DITRA 25, Schlüter®-KERDI-BOARD or Schlüter®-DITRA-HEAT. Schlüter®-KERDI-COLL-L to be supplied and professionally installed while observing the manufacturer's instructions.

Art.-Nr.: \_\_\_\_\_

Material: \_\_\_\_\_ .../m

Labour: \_\_\_\_\_ .../m

Total: \_\_\_\_\_ .../m