



# Schlüter®-FINEC

Wall corners and finishing profiles  
for decorative edge protection

# 2.17

Product data sheet

## Application and function

**Schlüter®-FINEC** is a high-quality finishing profile made of stainless steel or anodised aluminium for the perimeters of tile coverings or the outer edges of tiles or plaster/rendered finishes. The anchoring leg of the profile protects the edge of the covering - including glass mosaics - from mechanical damage with a slim, elegant corner formation.

Schlüter®-FINEC-E of stainless steel is also suitable for staircases as a slim edge protection for tiles and covering systems.

## Material

The profile is available in the following finishes:

- E = stainless steel, V2A, material no. 1.4301 = AISI 304
- AE = anodised aluminium

## Material properties and areas of application:

In special cases, the suitability of the profile must be verified based on the anticipated chemical and mechanical stresses. The information provided below is intended as a general guideline.

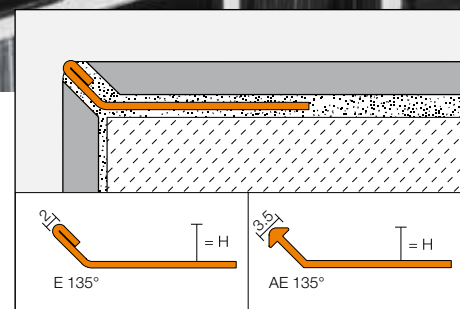
**Schlüter®-FINEC-E** is made of roll-formed stainless steel V2A (material no. 1.4301).

**Schlüter®-FINEC-AE** (anodised aluminium): The aluminium features an anodised finish that retains a uniform appearance during normal use. Visible surfaces should be protected against abrasion. Aluminium is sensitive to alkaline media.



Cementitious materials, in conjunction with moisture, become alkaline. Depending on the concentration and duration of exposure, this may result in corrosion (aluminium hydroxide formation).

For this reason, remove mortar or grouting material immediately from all visible areas and do not cover freshly installed coverings with foil. In addition, ensure that the profile is solidly embedded in the setting material to prevent water from accumulating in small cavities.





### Installation

1. Select Schlüter®-FINEC in accordance with the tile thickness (the aluminium profile with a height of H = 2.5 mm was specifically developed for edging tile to plaster/rendered finishes).
2. Press the trapezoid perforated anchoring leg of the profile firmly into the adhesive and align it (in the case of adjoining plaster or render place the anchoring leg on a suitable adhesive area first)
3. Trowel additional adhesive over the trapezoid perforated anchoring leg to ensure full coverage.
4. Chamfer the adjoining tiles in the area of the profile by 45°.
- 4a. If the aluminium profiles **Schlüter®-FINEC-AE** are used to create a 3 way external corner, into which the two upper profiles were fitted at an angle of 45°, cut the adjoining lower profile to size. The trapezoid-perforated anchoring leg, including the joint spacer, must be cut off straight to the visible area by a minimum dimension **x**, depending on the profile length; see the AE illustration below.
- 4b. If the stainless steel profiles **Schlüter®-FINEC-E** are used to create a 3 way external corner, into which the two upper profiles were fitted at an angle of 45°, cut the adjoining lower profile to size. In this case, the trapezoid-perforated anchoring leg must be cut off by a minimum dimension **x**, depending on the profile length, and the joint spacer including the visible area has to be chamfered at a 45° angle; see the E illustration below.

5. Firmly press the tiles into the adhesive and align them in such a way that the upper profile edge is flush with the tile. The tiles must be fully embedded in the area of the profile.
6. Leave a joint of approximately 1.5 mm. Completely fill the space between the tile and the profile with grout.
7. Use suitable materials and tools for the sensitive surfaces to avoid scratches or other damage. Residue of adhesive, plaster or render should be removed immediately, especially from aluminium finishes.

### Notes

Schlüter®-FINEC requires no special maintenance or care. Do not use abrasive cleaning agents on the sensitive surfaces. Damaged anodised surfaces can be restored with paint. The surfaces of stainless steel profiles can be polished with commercial chrome-polishing products. Stainless steel surfaces exposed to the environment or aggressive substances should be cleaned periodically using a mild household cleaner. Regular cleaning maintains the neat appearance of stainless steel and reduces the risk of corrosion. All cleaning agents must be free of hydrochloric and hydrofluoric acid. Avoid contact with other metals, such as regular steel, to prevent corrosion. This also includes installation tools such as trowels or steel wool, e.g. for the removal of mortar residue. We recommend the use of the stainless steel cleaning polish Schlüter®-CLEAN-CP.

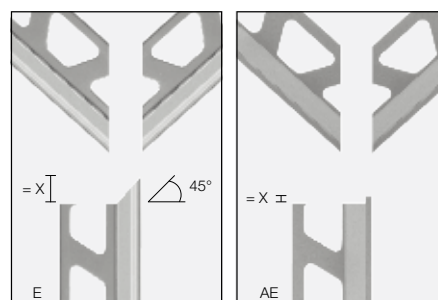
### Minimum cut dimensions for 3 way external corners:

#### Schlüter®-FINEC-E

H = mm	4.5	7
X = mm (min.)	5	8

#### Schlüter®-FINEC-AE

H = mm	2.5	4.5	7
X = mm (min.)	1	3	5



### Product overview:

#### Schlüter®-FINEC-E

E = stainless steel

Supplied length: 2.50 m

H = mm	4.5	7.0
E	•	•

#### Schlüter®-FINEC-AE

AE = anodised aluminium

Supplied length: 2.50 m

H = mm	2.5	4.5	7.0
AE	•	•	•

### Text template for tenders:

\_\_\_\_\_ linear meters of Schlüter®-FINEC as a finishing profile for external wall corners, for finishing tile coverings, glass mosaics or plaster/rendered finishes to be supplied and professionally installed while observing the manufacturer's instructions.

Material:

■ E = stainless steel 1.4301 (V2A)

■ AE = anodised aluminium

Profile height: \_\_\_\_\_ mm

Art.-No.: \_\_\_\_\_

Material: \_\_\_\_\_ /m

Labour: \_\_\_\_\_ /m

Total: \_\_\_\_\_ /m